

Delo® Bumper-to-Bumper Protection for On-Road Trucks



King Pin & Fifth Wheel
 Delo Grease ESI®
 Delo Heavy Duty
 Moly 3% EP



**Refrigeration Compressor
 Drive Engine Crankcase**

Delo 400 LE Synthetic SAE 5W-30, 5W-40
 Delo 400 LE SAE 15W-40
 Delo 400 XLE Synblend SAE 10W-30
 Delo 400 XLE Synblend SAE 15W-40



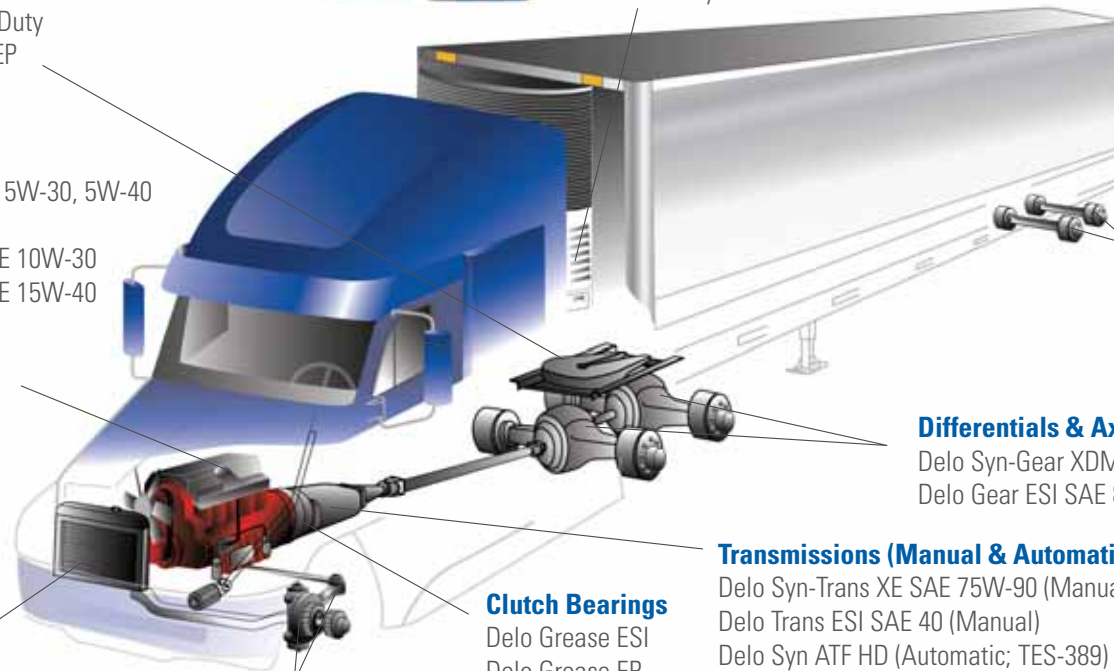
Engine Crankcase

Delo 400 LE Synthetic SAE 5W-30, 5W-40
 Delo 400 LE SAE 15W-40
 Delo 400 XLE Synblend SAE 10W-30
 Delo 400 XLE Synblend SAE 15W-40
 Delo 400 NG SAE 15W-40
 (For CNG/LNG Engines)
 Delo 400 SD Severe Duty
 SAE 15W-30*



Coolant System

Delo ELC Antifreeze/Coolant
 Delo XLC Antifreeze/Coolant



**Non-Driven
 Wheel Bearings**

Delo Synthetic Grease SF



Differentials & Axles

Delo Syn-Gear XDM SAE 75W-90
 Delo Gear ESI SAE 80W-90



Transmissions (Manual & Automatic)

Delo Syn-Trans XE SAE 75W-90 (Manual)
 Delo Trans ESI SAE 40 (Manual)
 Delo Syn ATF HD (Automatic; TES-389)

Clutch Bearings
 Delo Grease ESI
 Delo Grease EP

**Grease Points, Rods,
 Pins & Bearings**

Delo Grease ESI
 Delo Grease EP



*Severe duty applications typically have lower drain intervals relative to other duty cycles. See OEM recommendations for drain interval recommendations.

The product recommendations provide general guidelines for use in on-road trucks. All manufacturers have different coolant and lubricant requirements and recommendations. It will be important to contact a Chevron representative or refer to the Original Equipment Manufacturer manual to confirm the proper product is used for the application. You may contact our LUBETEK organization (800-LUBE-TEK) for confirmation of specific OEM specifications.



Delo®
 Let's go further.™